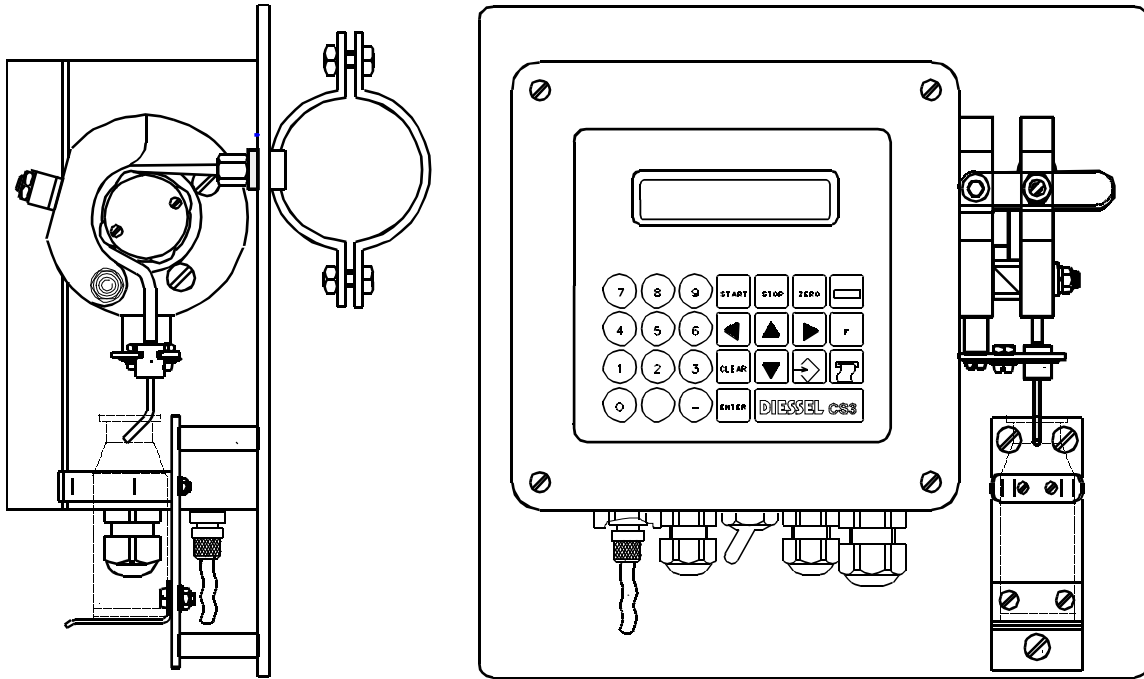




PS3 Sampler



Description

The Sampler PS3-I designed to be installed on milk collecting trucks works according to the principle of a hose pump and enables you to take the sample directly from the hose pipe.

The PS3-I is equipped with an electronic motor control which can operate 1 independent samplers.

Special Features

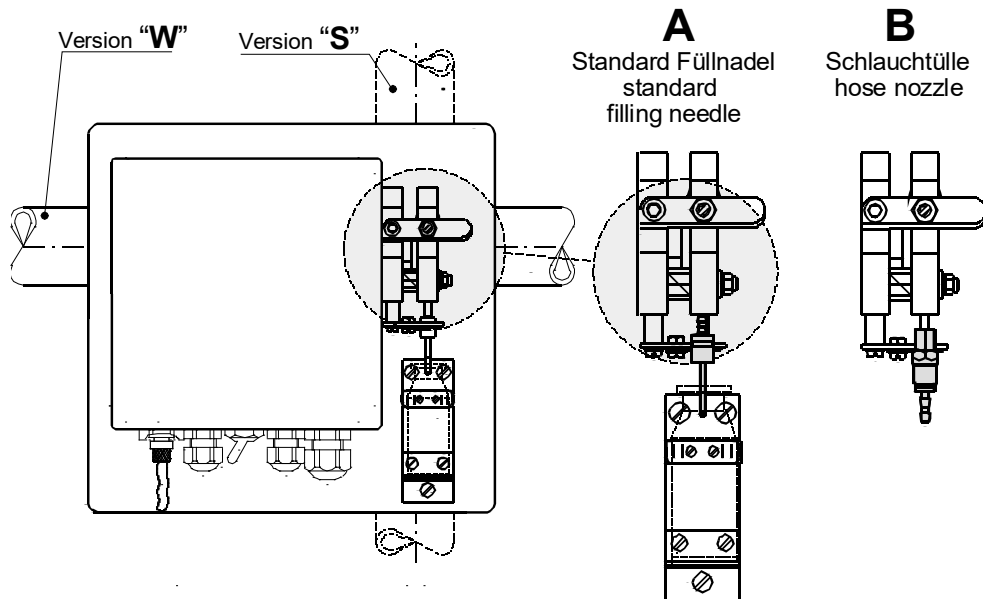
- Quasi-continuous operation because a step motor is used.
- Improved lifetime of the hose because of a redesigned pump head and speed limiter.
- Good representability due to a very low sampling volume of the individual samples and frequent taking of individual samples.
- Low carry-over due to very small moistening areas in the system. Suitable for bacteriological sampling.
- Easy installation.
- Good cleaning capability.
- Few maintenance required.
- Bottle holders for different sizes; can be optionally fitted with a bottle sensor.



It is no problem to retrofit the device into an existing pipeline. The pipeline must have a borehole (D = 14.5 mm) at an adequate position into which a connection piece is welded.

Then the Sampler PS3 is put onto it and fixed using pipe clamps.

If required, the sampler PS3 can be operated independently. In this case the control unit must be parameterized for each appliance. Enter the expected reception volume to configure the system before each sampling process. In this mode of operation the representability strongly depends on the operators.



Version "A" with Filling Needle

The sample volume is directly filled to a sample bottle which is not closed.

Version "B" with Hose Nozzle

It is possible to carry out a low-germ filling of the taken sample by using a hose which is fixed to the hose nozzle at the sampler and by applying the adequate options.



Technical Data

Hose pipe connection	Connection to different nominal widths possible. (Borehole ρ 14.5 mm for nozzle)			
Sampling volume	Attention: In case of small reception quantities it is indispensable to check the operating conditions in order to determine the attainable sampling volume. Standard value: 30 ml at an operating period of 20 seconds min.			
Pressure in the product line (pressure: bar absolute)	1 - 2.5 bar: Special design to be used at pressures below the atmospheric pressure (0.5 - 1 bar absolute) (Special adapter!)			
Materials	Stainless steel no. 1.4301 (AISI 304) / housing: Al lacquered Silicon tube			
Operating voltage	10 ... 30 V DC			
Current consumption (max.)		12 V DC	24 V DC	30 V DC
	Quiescent current	0.3 A	0.15 A	0.12 A
when using one motor	Operating current	2.7 A	1.3 A	1.0 A
Fuse protection of the device	7.5 A (brown)			

Connection Scheme:

